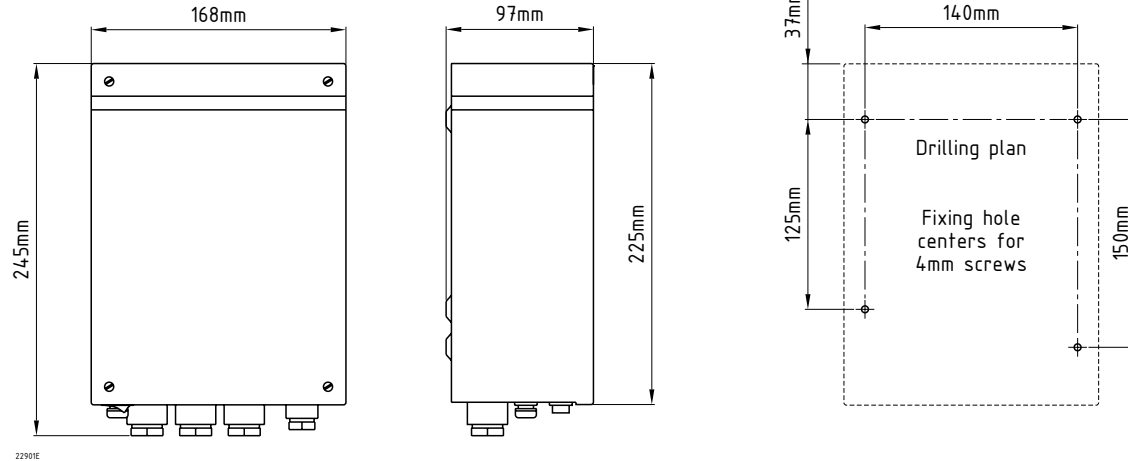


SAILOR N163S AC/DC Power Supply



Thrane & Thrane

DIMENSIONS AND DRILLING PLAN



Technical specifications

INPUT: 110/127V AC Fuse T2A
 220/237V AC Fuse T1A
 160VA 50/60Hz
 OUTPUT: 24V DC 170W

Operating Temperature Range:
 -15°C to +55°C 93% Relative humidity.
 Storage Temperature:
 -20°C to +70°C 93% Relative humidity.

Power Supply wires

110V AC - 2 x 1.5mm²
 220V AC - 2 x 0.7mm²
 24V DC - 2 x 6.0mm²

Absolute maximum voltage allowed on the battery input is 32V.

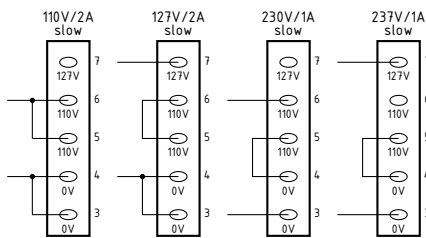
Weight 5 kg

Doc. no. M163SGB Issue: K/0952

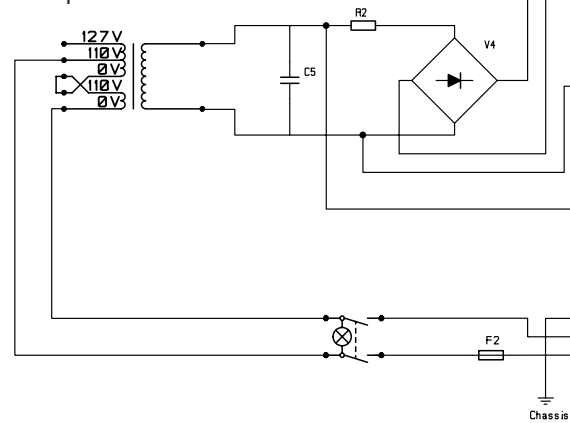
Thrane & Thrane A/S • info@thrane.com • www.thrane.com

Mains Voltage/Fuse Rating

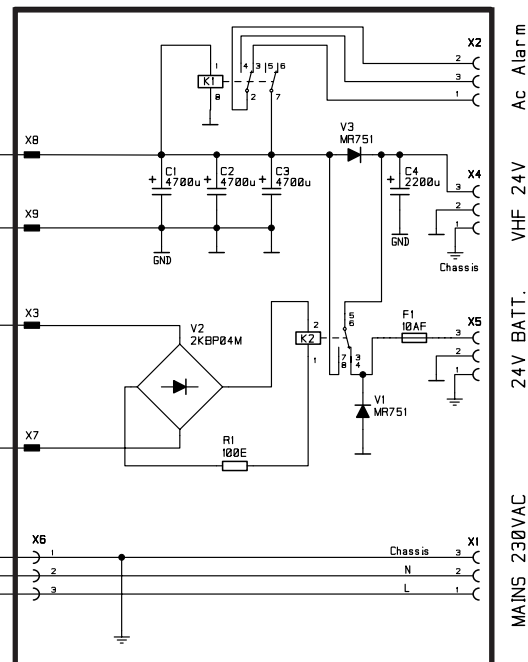
(Wired and fused for 230V from factory)



Solder strip on transformer



Module 622605



4-0-38423B

PARTS LIST

(Fused for 220V from factory)

N163S, AC/DC Power supply		T&T A/S	N163S	801194xx
POS	DESCRIPTION	MANUFACTOR	TYPE	PART NO.
C5	CAPACITOR MKT 680nF 10% 63V	ERO	MKT 1818-468/065	11.186
F2	FUSE 1AT 250V 5x20mm	LITTELFUSE	218001	45.506
R2	RESISTOR		CONSTANTAN wire ø1.2	501194
S1	Rocker Switch w. lamp, 10A/250VAC DPST	Light Country/Legion	LECR9Y2KDF7F	43.057
T1	TRANSFORMER MAINS 220V - 19V/7AAC	Ulvenco	6-0-28731A Art.Nr: EI-96-1001	22.120
V4	DIODE BRIDGE 100V/25A	SILITEK	KBCP25-01(02,04,06,08,10)	27.110
Rectifier Board N163S		T&T A/S	5-6-22605E / 4-0-22605D	622605
POS	DESCRIPTION	MANUFACTOR	TYPE	PART NO.
C1	Capacitor Electrolytic 4m7F 20% 40VDC	Panasonic	ECEC 1H P 472 C A	14.747
C2	Capacitor Electrolytic 4m7F 20% 40VDC	Panasonic	ECEC 1H P 472 C A	14.747
C3	Capacitor Electrolytic 4m7F 20% 40VDC	Panasonic	ECEC 1H P 472 C A	14.747
C4	Capacitor Electrolytic 2200uF 20% 40VDC	BC Components	2222 056 57222	14.748
K1	RELAY DPDT 24VDC/1ADC	TAKAMISAWA	RY-24W-OH-K	78000044
K2	RELAY 12VDC 1SH. 16A.	relpol	RM85-1011-25-1012 (35-1012)	21.012
R1	RESISTOR PMF 100 OHM 5% 2W	PHILIPS	2322 194 13101	04.175
V1	DIODE Rectifier 100V/6A	ON SEMICONDUCTORS	MR751(752, 754, 756, 760)RL	25.220
V2	DIODE BRIDGE 400VDC 1.5A	G.I.	2KBP04/06/08/10	27.103
V3	Diode Rectifier 100V/6A	ON SEMICONDUCTORS	MR751(752, 754, 756, 760)RL	25.220
X1	Terminal Block 3 Poles 2.5mm2, CC=10mm	SAURO	MSM03002	81.190
X2	Terminal Block 3 Poles 4.0mm2, CC=7.5mm	SAURO	MSQ03003	81.191
X3	SOLDER LUG PCB VERSION	VOGT AG	01015/Bz-Sn	82.005
X4	Terminal Block 3 Poles 4.0mm2, CC=7.5mm	SAURO	MSQ03003	81.191
X5	Terminal Block 3 Poles 4.0mm2, CC=7.5mm	SAURO	MSQ03003	81.191
X6	Terminal Block 3 Poles 2.5mm2, CC=10mm	SAURO	MSM03002	81.190
X7	SOLDER LUG PCB VERSION	VOGT AG	01015/Bz-Sn	82.005
X8	SOLDER LUG PCB VERSION	VOGT AG	01015/Bz-Sn	82.005
X9	SOLDER LUG PCB VERSION	VOGT AG	01015/Bz-Sn	82.005
F1	Fuse 10AF ATO BLADE RED	PUDENZ	162.6185.5102	45.663
XF1	Fuseholder 1POL ATO. 30A	Littelfuse	178.6165.0001(.0002)	78.499